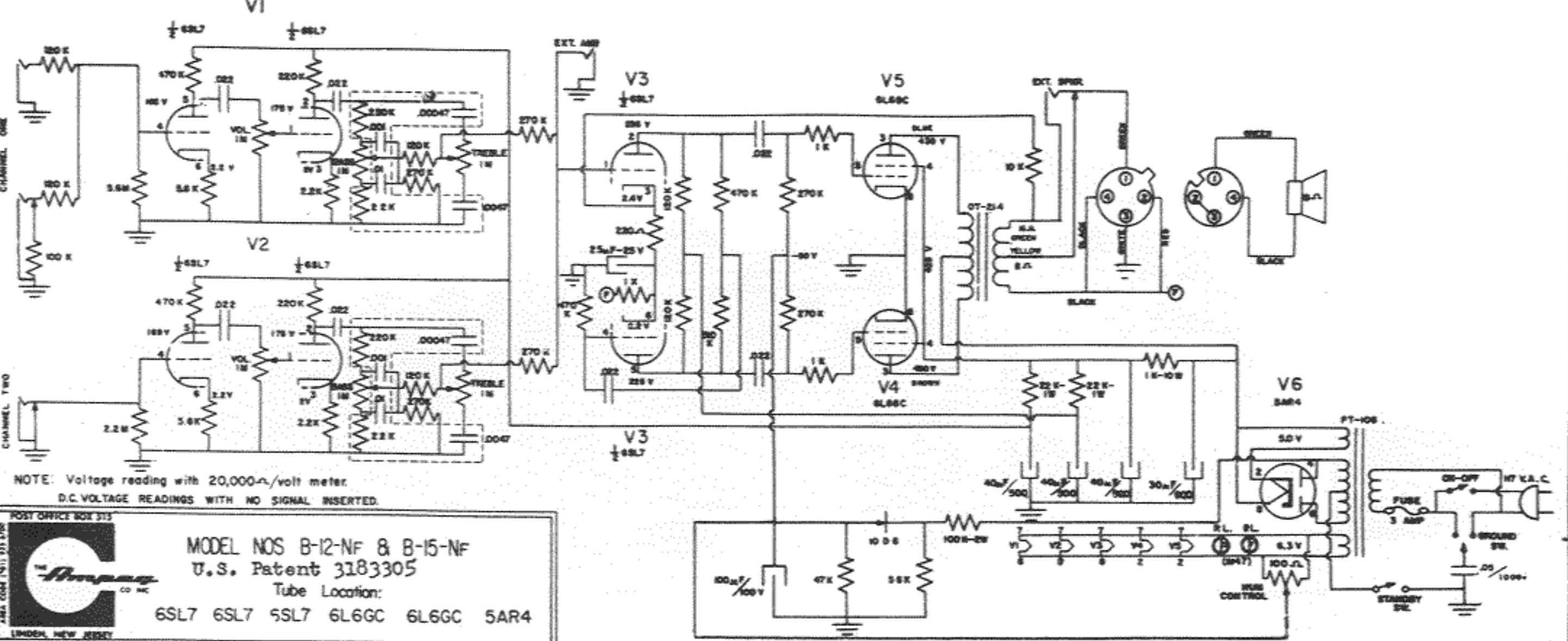


CHANNEL ONE

CHANNEL TWO



NOTE: Voltage reading with 20,000-ohm/volt meter.
 D.C. VOLTAGE READINGS WITH NO SIGNAL INSERTED.



MODEL NOS B-12-NF & B-15-NF
 U.S. Patent 3183305

Tube Location:

6SL7 6SL7 6SS7 6L6GC 6L6GC 5AR4